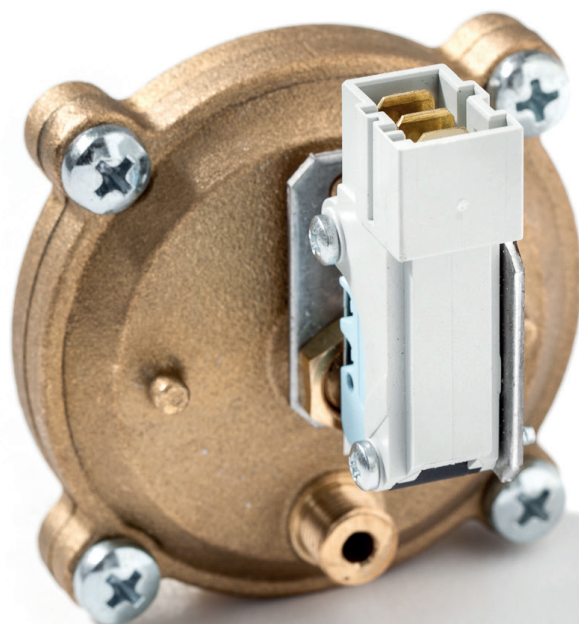


Differential pressure switch

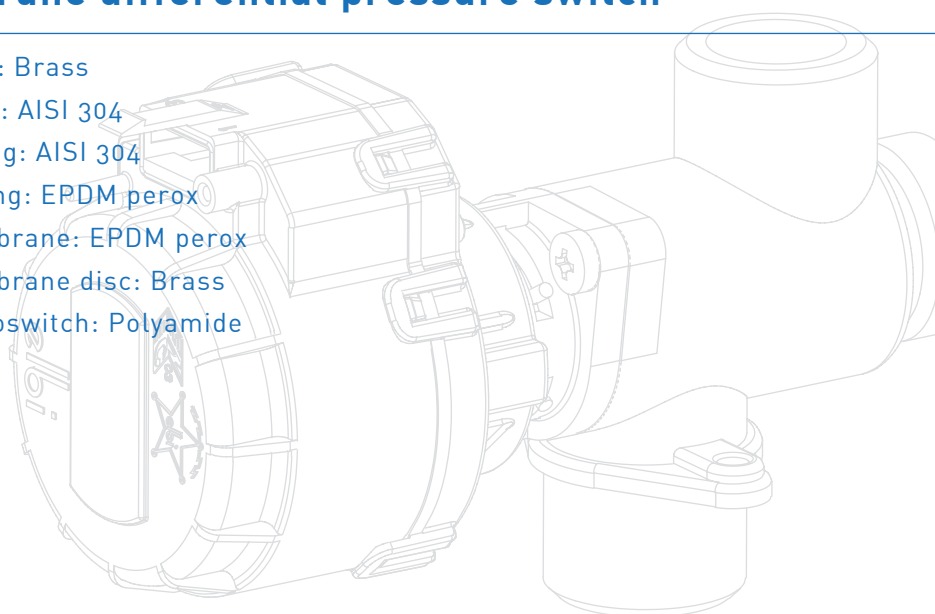
Hydraulic components



Membrane differential pressure switch

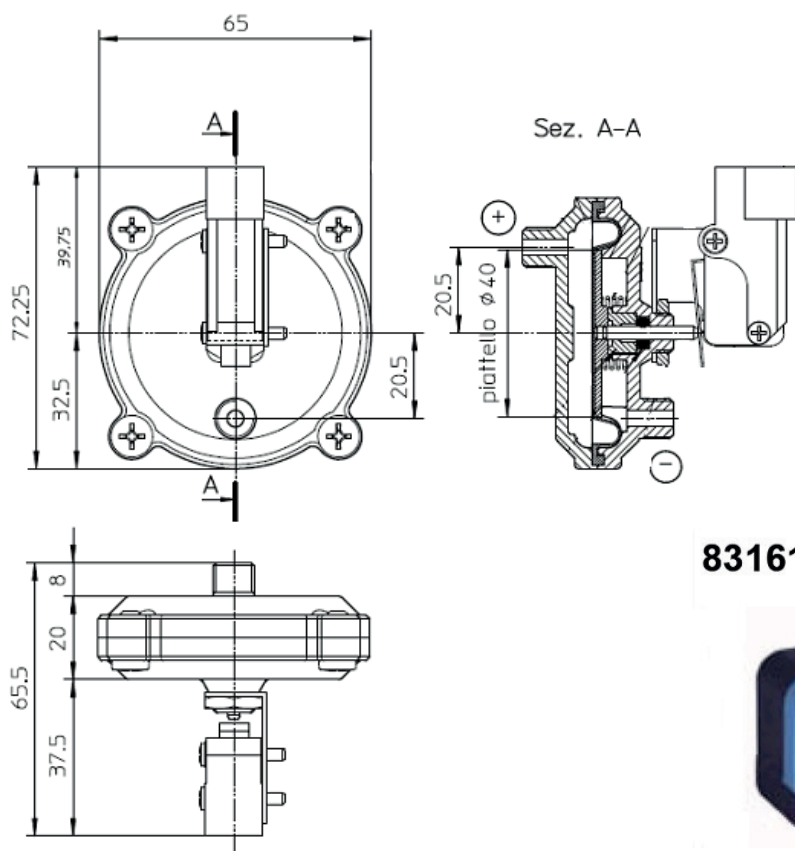
- / Body: Brass
- / Stem: AISI 304
- / Spring: AISI 304
- / O-Ring: EPDM perox
- / Membrane: EPDM perox
- / Membrane disc: Brass
- / Microswitch: Polyamide

www.otma.it



Differential pressure switch

Hydraulic components



83161301-Standard 831613



/ differential pressure switch technical data

Max working temperature: **110 °C**

Max working pressure: **6 bar**

Differential pressure

contact ON: **90 mbar**

contact OFF: **50 mbar**

/ microswitch technical data

Electrical characteristics

Nominal Rating / 250 VAC: **16 A**

Thermal Rating / 250 VAC: **20 A**

Mechanical characteristics

Max operating force: **0,8 N**

Min release force: **0,2 N**

Max total travel force: **2 N**

Max allowed overtravel force: **20 N**

Max rest position: **16,2 mm**

Tripping point: **14,7 (+/-0,3) mm**

Max differential travel: **0,35 mm**

Min overtravel CRA: **1,2 mm**

Ambient operating temperature: **-20 / +125 °C**

Mechanical life for 2/3 CRA: **2 x 10⁷ operations**

Contact gap: **0,4 mm**

Weight: **5,6 g**