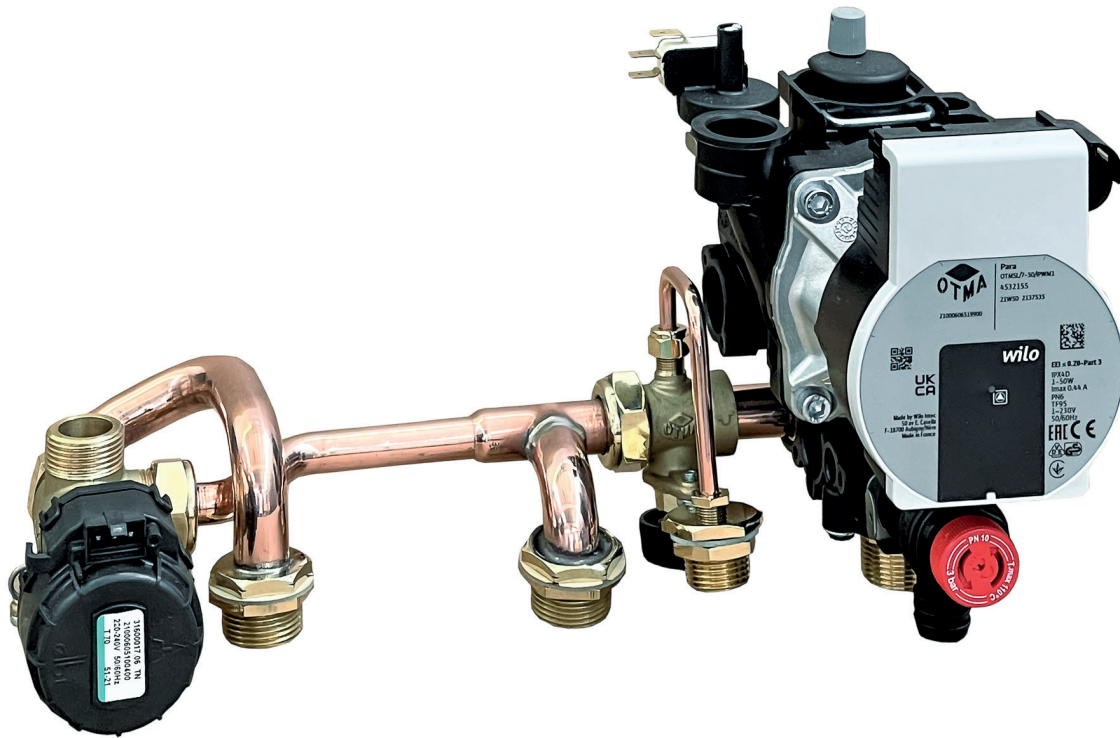


OTMSL-DIN TANK Filling

COMPACT BLOCK

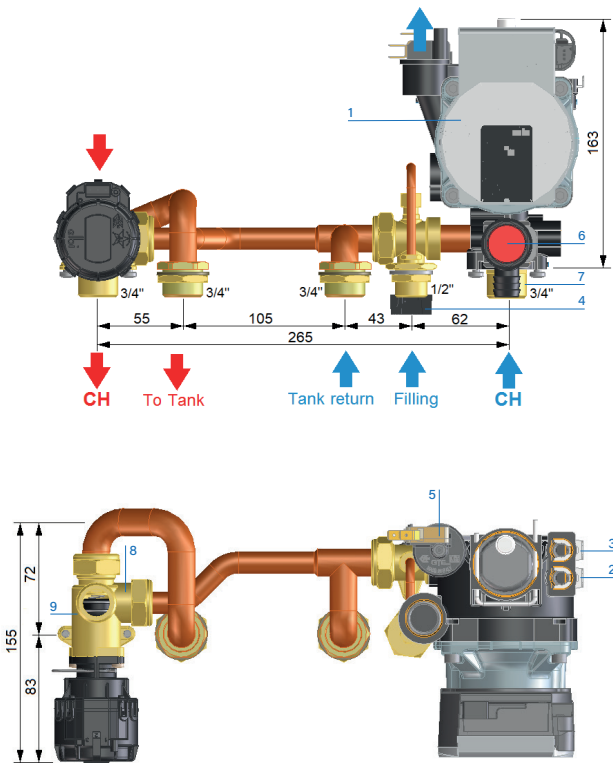


Compact hydroblock for boiler with storage tank

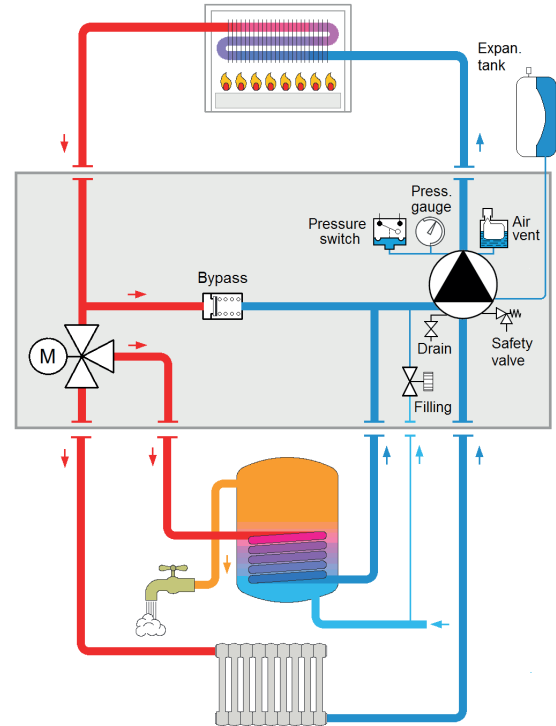
- / Domestic hot water production
- / Room heating

www.otma.it

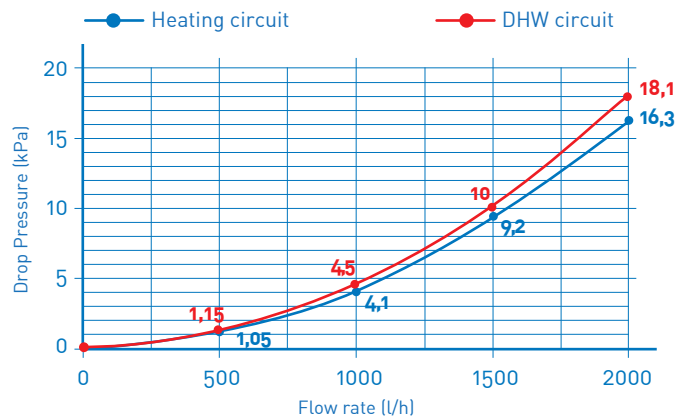




/ hydraulic scheme



/ characteristic curves



- 1 Pump
- 2 Manometer connection
- 3 Expansion tank connection
- 4 Filling valve
- 5 Pressure switch
- 6 Safety valve
- 7 Drain valve
- 8 Bypass valve
- 9 3-way valve

/ technical data

Max power: **35 kW**
 Max temperature: **95 °C**
 Pressure CH: **0.3 - 3 bar**