

Strainer

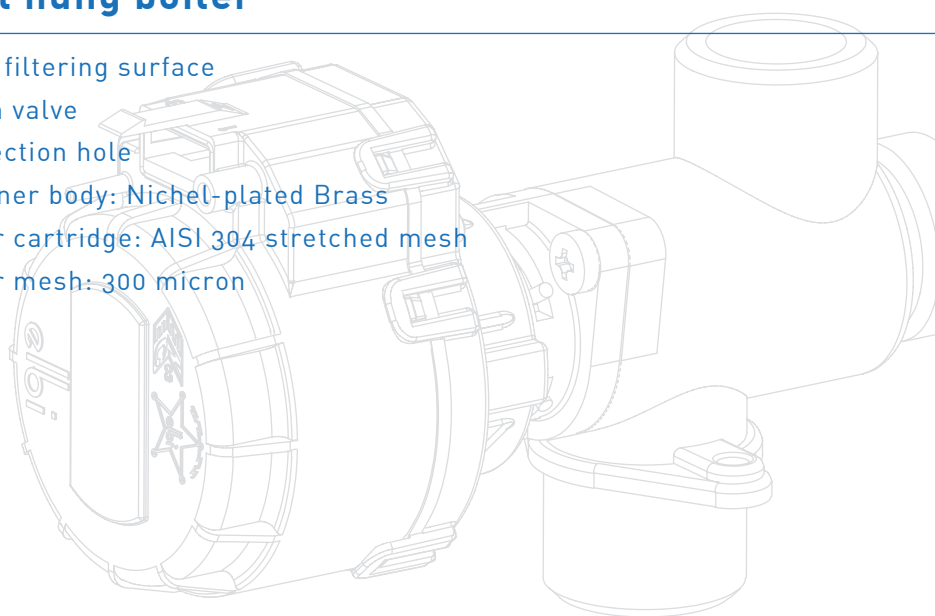
Hydraulic components

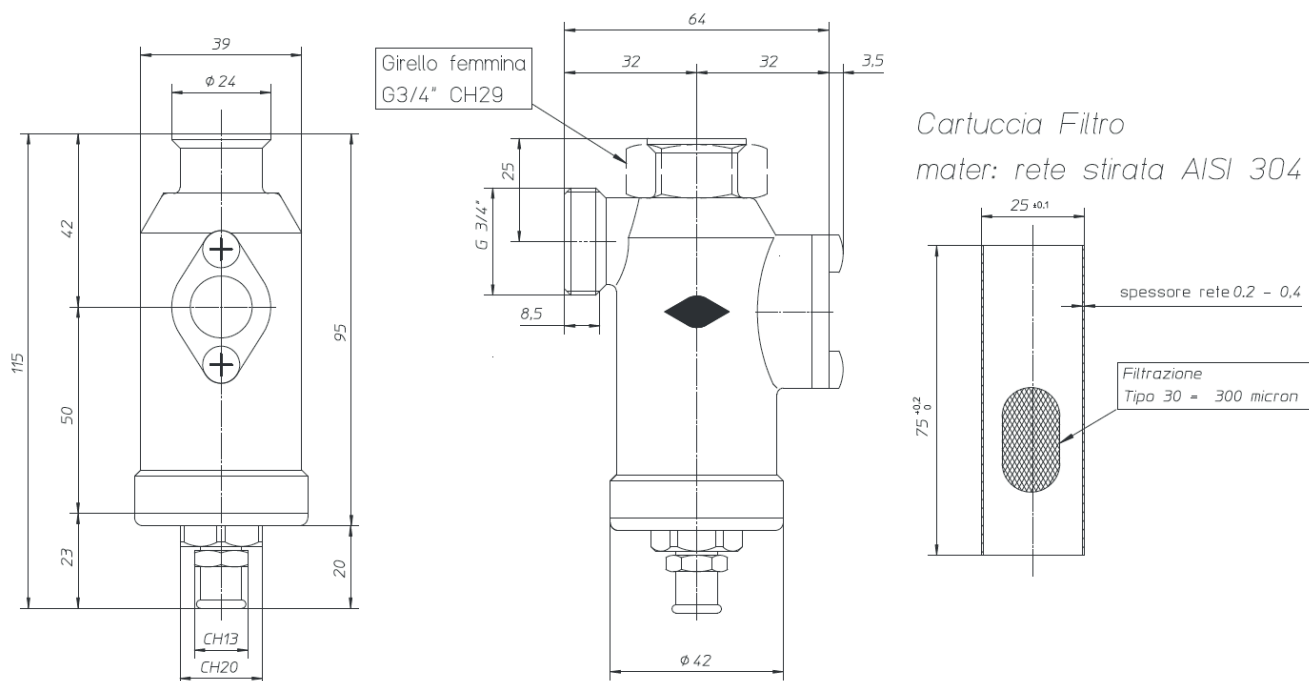


Strainer 3/4" for return heating water of wall hung boiler

- / Wide filtering surface
- / Drain valve
- / Inspection hole
- / Strainer body: Nichel-plated Brass
- / Filter cartridge: AISI 304 stretched mesh
- / Filter mesh: 300 micron

www.otma.it





/ drop pressure

Flow rate P1-P3 mesh 300 μ

(l/h) (mbar)

0	0
250	2
500	8
750	18
1000	33
1250	51
1500	73
1750	98
2000	127
2250	160
2500	195

DP 1bar kv
(m³/h) 5,345

/ characteristic curves

